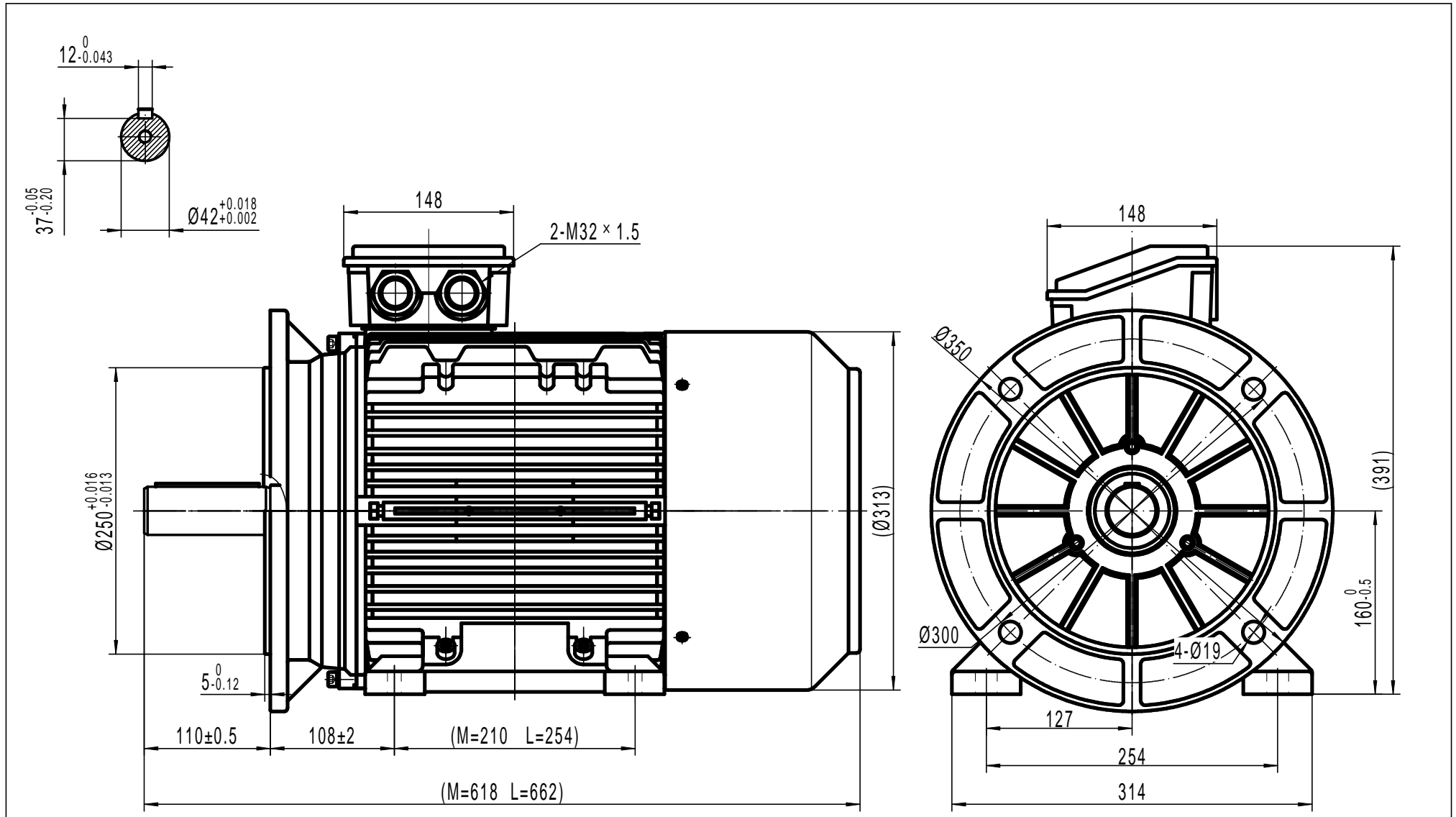


OUTLINE DIMENSIONAL DRAWING



TECHTOP
A U S T R A L I A

TECHTOP AUSTRALIA PTY LTD	
FRAME	TAI 160A B35
DATE	DRAWING NO.
2011/10/14	1ST087.051.001-032 A